

Power-Propelled Walk-Behind Drum Handlers Improve Productivity

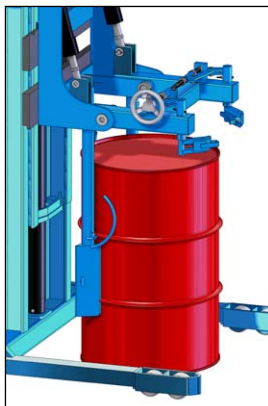
**Morse Model # 910
Power-Propelled < PILOT >
MORStak™ Drum Racker**

- Rack a drum horizontally up to 10.5' (3.2 m) high!
- Lift and transport an 800 Lb. (363 kg) drum
- Position drums in rack with virtually zero clearance between
- Power-Propelled Walk-Behind
- Powered Drum Lift and Tilt
- Rack a 55-Gallon (210 liter) steel or plastic drum with suitable top rim

This safety conscious MORStak™ Drum Racker, allows you to move drums on and off racks, pallets, trucks, etc. Lift an upright drum and place in horizontal position. Rack rimmed 55-gallon steel or plastic drums side by side with virtually zero clearance between them. Handle your drum with a drum faucet in place allowing your drum rack to serve as a dispensing station.

Capacity is 800 Lb. (363 kg).

Option # EBC-900 Option for Export Battery and 220V 50Hz Charger



Familiar Controls for propulsion and steering. Raise and Lower Buttons incorporated in handle.



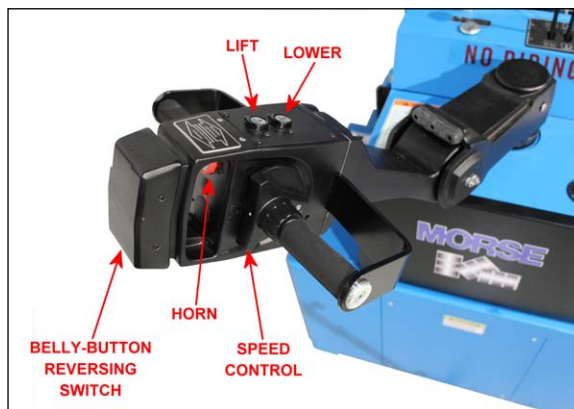
Lift and Tilt Control Handles

The Morse model # 910 < PILOT > MORStak™ Drum Racker features intuitive, industry-standard throttle, steering and drum positioning controls... so you can put them online quickly.

Model # 910 < PILOT > MORStak™ Drum Racker is designed to lift a drum weighing up to 800 Lb. (363 kg) at 25 ft/min (5 cm/sec).*

Control the travel speed with ergonomic twist grip or thumb control. Maximum travel speed is 3.0 mph (4.8 km/hr) or 4.4 ft/sec (1.3 m/sec) with 800 Lb. (363 kg) drum.* Maneuver in narrow aisles with a turn radius of just 58" (147 cm) on smooth rubber rear drive wheels, and polyurethane front wheels. Traveling on a slope: The Pilot series is rated for operation up to a 5% grade when traveling with the carriage and attachment down below the high speed cutoff height.

Adjust straddle I.D. from 38" to 50" (96.5 to 127 cm), adjustable in 4" increments to work with various size pallets.



Moving steering control handle to top and bottom 15° of handle arc actuates brake proportional to handle movement, allowing operator complete control of braking from "feathering" for accurate payload positioning through full emergency stop. When released, the handle returns to upright position and applies the brake.

Built-in safety systems include a proven "belly-button" switch, which helps prevent an operator being pinned between the < PILOT > and any other object. Upon body contact, the switch activates low speed in the opposite direction.

"Dead-man" braking occurs when spring loaded control handle is released, turning off electrical power and applying the brakes.

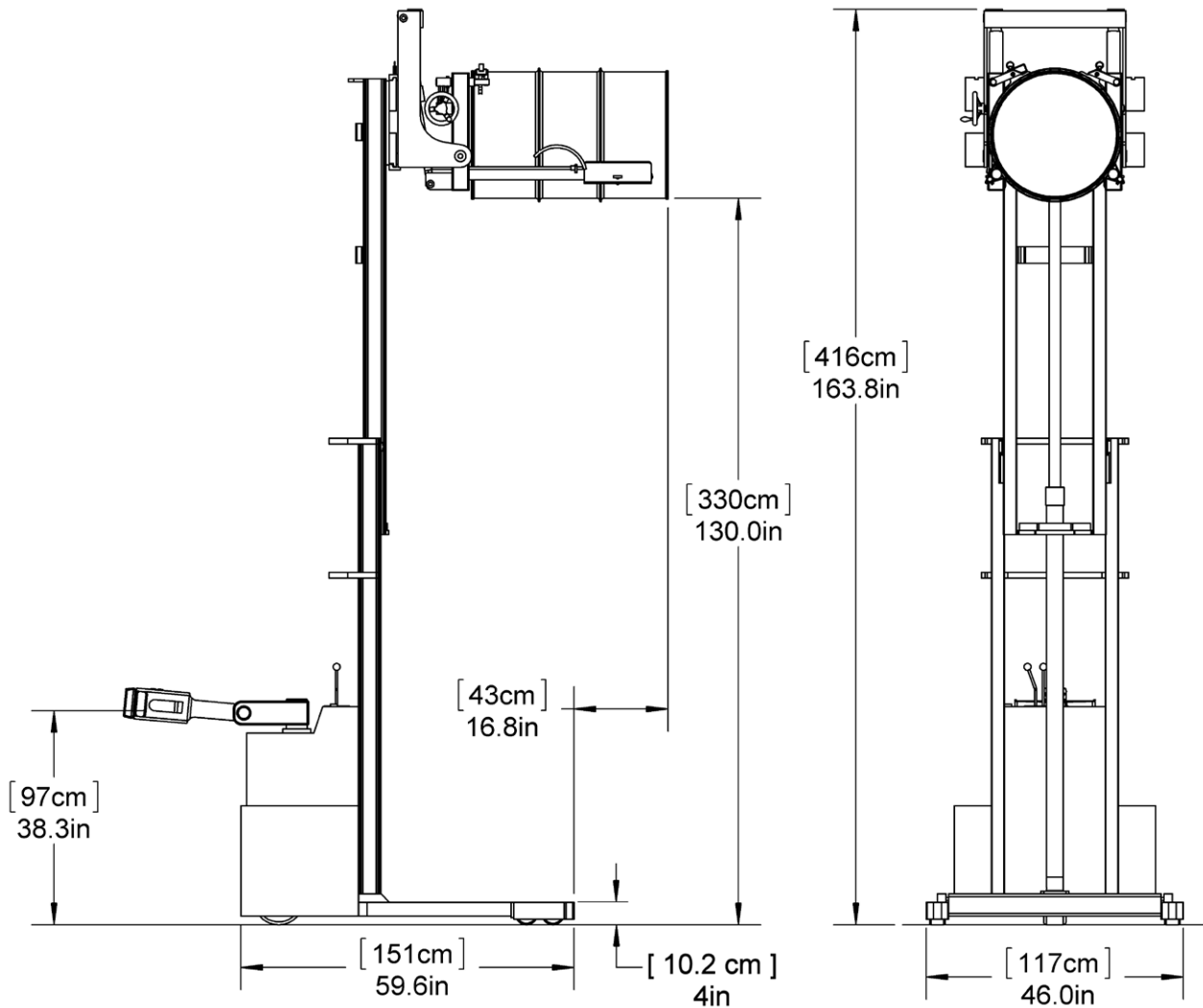
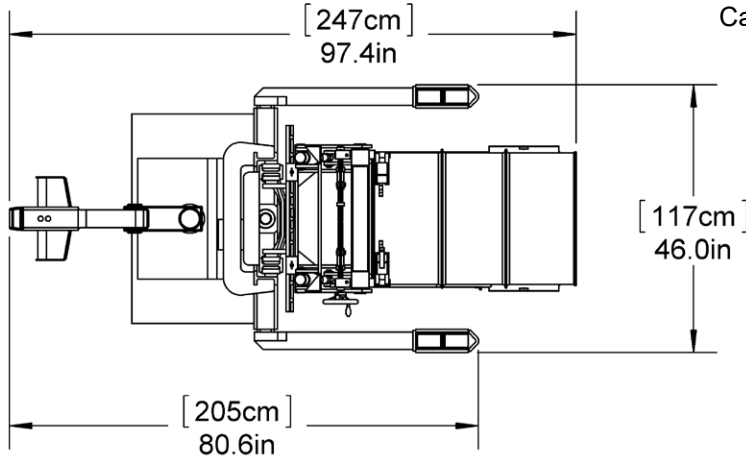
The internally mounted 24V battery has a built-in "smart" charger to provide amount of charge necessary. Simply plug into a standard 110V AC outlet with the included cord. The batteries can be fully charged from empty in about 8 hours.

* Note: Lift and travel speeds will increase with lighter loads. For example, maximum travel speed with an empty drum is 3.6 mph with maximum lift speed of 39 ft/sec.

Model #	Description	Maximum Lift Height	Domestic Ship Weight	Domestic Ship Dimensions
910	< PILOT > Power-Propelled MORStak™ Drum Racker	10.5' (3.2 m)	2350 Lb. (1066 kg)	L86" x W45" H94" (218 x 114 x 239 cm)
EBC-900	Option for Export Battery and 220V 50Hz Charger			

**Dimensions of Model 910 < PILOT > MORStak™ Power-Propelled Drum Racker
with drum raised to maximum racking height**

Net Weight: 2350 Lb. (1066 kg)
Capacity: 800 Lb. (363 kg)



MADE
IN
USA

**Dimensions of Model 910 < PILOT > MORStak™ Power-Propelled Drum Racker
 with drum lowered to floor**

Net Weight: 2350 Lb. (1066 kg)
 Capacity: 800 Lb. (363 kg)

MADE
 IN
 USA

