



# SPACEMASTER® EX HAZARDOUS LOCATION HOIST

The Spacemaster EX electric wire rope hoist is the hazardous location version of the industry leading Spacemaster SX hoist. Along with exceptional hook approaches and heights of lifts, this hoist features one of the lowest headrooms in the industry. The Spacemaster EX hoist is offered with either a Class I, Division 2 or Class I, Division 1 hazardous location rating.



# RISE ABOVE™



# CLASS I, DIVISION 2 SPACEMASTER EX CRANE PACKAGES

The Spacemaster EX modular crane package includes protective features for the flammable gasses and vapors found in Class I, Division 2 environments.



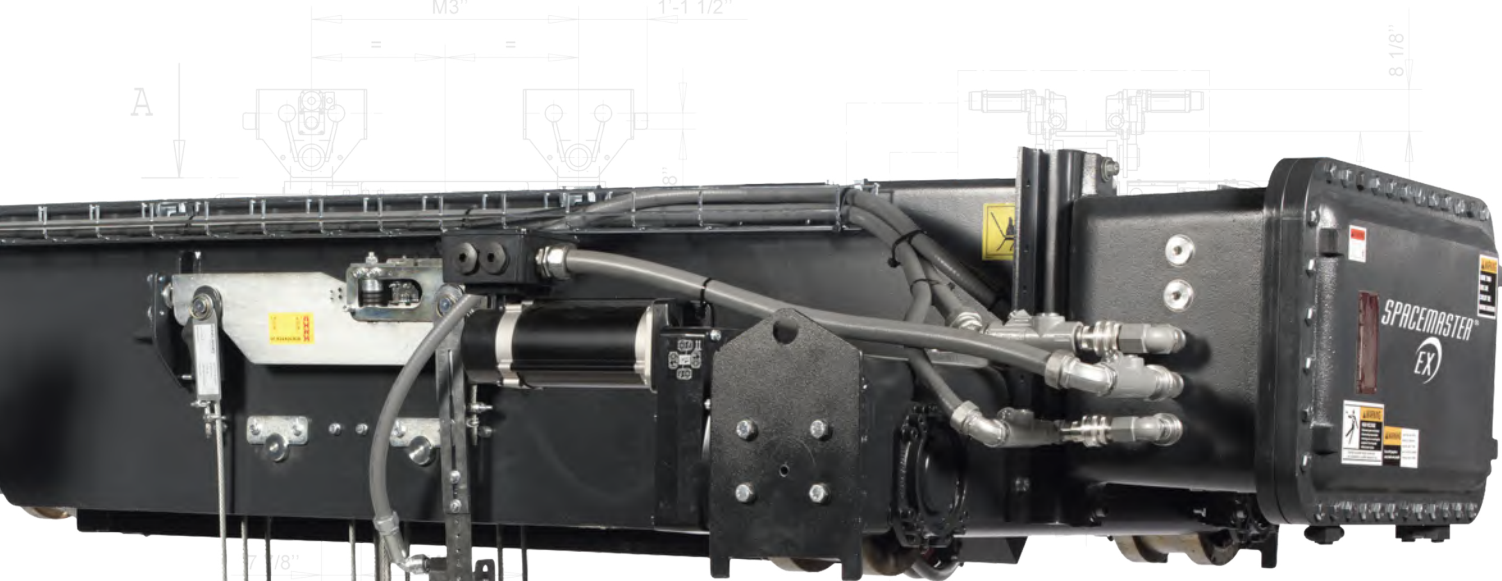
Motor	P5	P6
MOT (in)	22.76	22.76
Weight (lb)	128	187

Load (TON)	Class ASME
12	H4+
15	H4

HOL (ft)	Length code	H1 (inch)	M1 (inch)	M2 (inch)	R (inch)	Approx. Weight (lb)
13'-1"	E	28.86	26.69	15.51	55.12	19.5
19'-8"	F	34.76	32.6	18.46	66.93	20.5
26'-2"	G	34.76	39.08	14.72	66.93	21.5
36'-1"	H	34.76	39.08	14.72	78.74	22.5
49'-2"	J	34.76	39.08	14.72	78.74	24.5



**ABOUT SPACEMASTER® EX CRANES:**  
 Spacemaster EX modular crane packages are your one-stop solution for hazardous location cranes. Our packages include pre-engineered components, configured exactly to your specifications. All R&M Spacemaster EX crane package components are suitable for use in Class I, Division 2, Groups B, C and D, and Temperature Class T3 applications.



### DESIGNED FOR YOU

Each of our EX hazardous location hoists are configured specifically to your application. We offer a number of standard features, as well as non-sparking options that are specific to the environments for the Class I, Division 2 explosion proof rating. Some of these additional features include:

- Bronze coated hooks
- Brass wheels
- Brass drop lugs on trolley
- Stainless steel wire rope

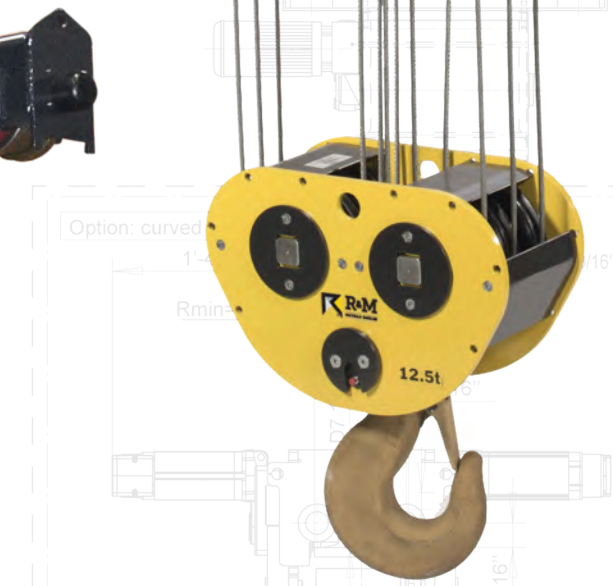
### STANDARD CID2 HOIST FEATURES

- Low headroom, normal headroom and double girder trolleys
- 1 - 80 ton (1000 - 80,000 kg) capacities
- 460, 575/3/60 or 380/3/50 supply
- ASME H3 or ASME H4 duty (FEM 1Am, 2m, or 3m) rating
- Single reeved or double reeved
- 2-speed hoist with 6:1 ratio, contactor control
- Low maintenance, sealed hoist brake
- 2-speed trolley with 4:1 ratio, contactor control
- NEMA 4 and 7 protection rating for control enclosure
- CSA C/US approved
- Spark-resistant wire rope as standard (EN 13463-5)

Load Capacity	Class	Hoisting speed	US-60Hz
26 7/8"		52 3/8"	5 3/4"
32 3/4"		63 3/8"	5 3/4"
40 1/4"		52 3/8"	5 3/4"
42-8"	H	50 1/16"	76"
55-9"	J	63 7/8"	76"
68-11"	K	75 1/2"	62 3/8"
			20 7/8"

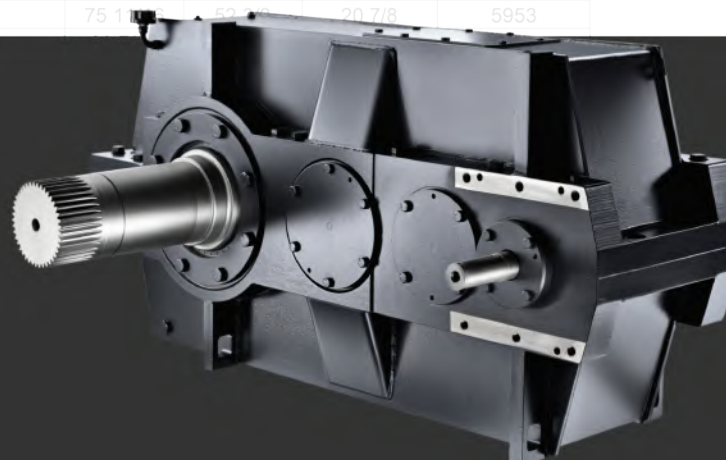
Note: Weight when B=12"

Weight (lb)
4079
4299
4519
4960
5512
5953

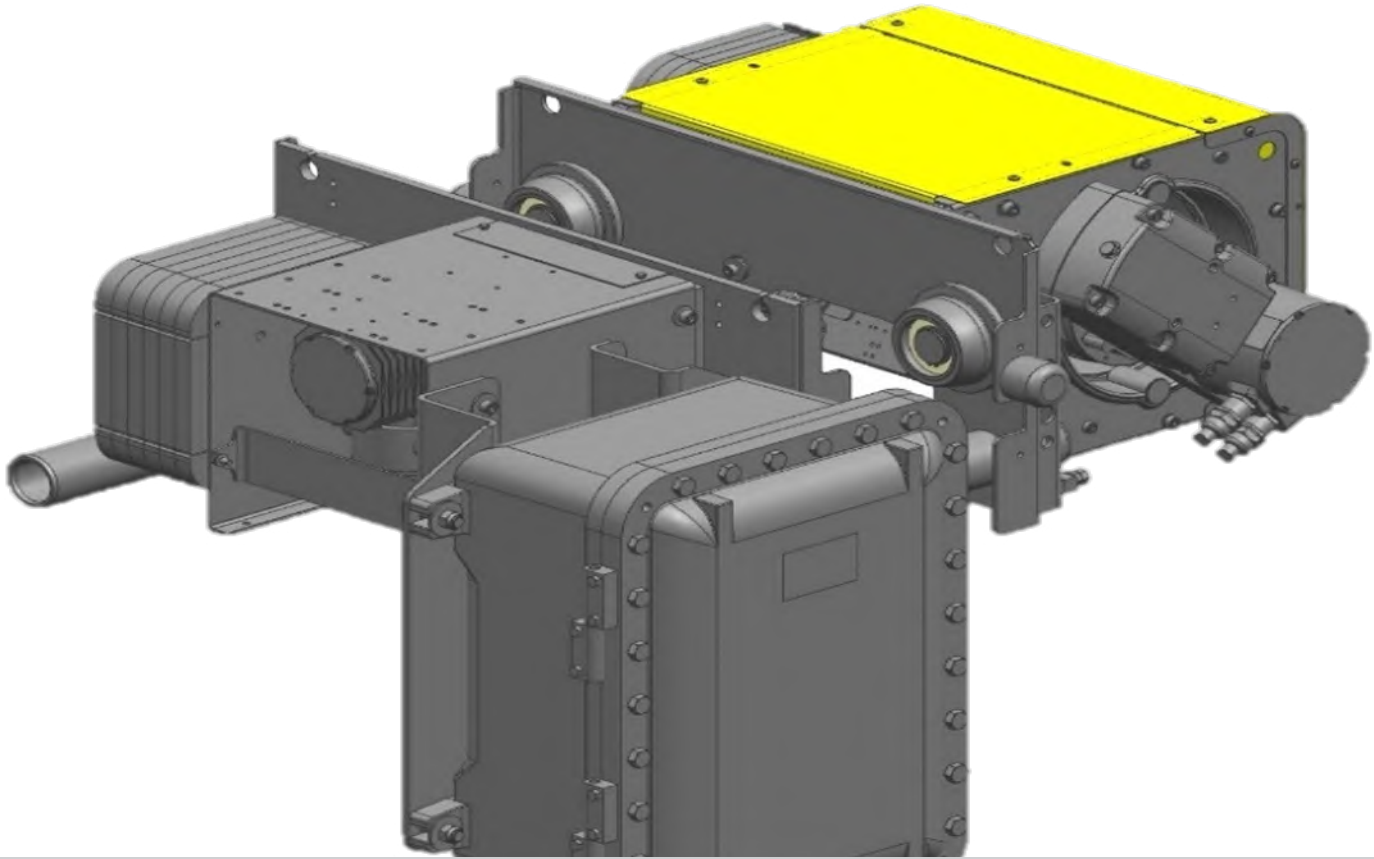


### THE POWER OF LIFTING:

The drive train is the unifying element in R&M's equipment. It's an integrated package of purpose-built gears, motors and controls, designed and made in-house specifically for cranes and lifting motions. This gives our hoists a longer lifetime and excellent functionality. We aim for the highest levels of safety and reliability in our key components.



# CLASS I, DIVISION 1 SPACEMASTER EX HOIST



## Standard Hoist Features

The Spacemaster® EX is available within these ranges for Class I, Division 1 rated environments:

- 1-20 tons (1000 - 20,000 kg) capacities
- 460 or 575/3/60Hz supply
- Two-speed hoist with 6:1 ratio, contactor control
- Two-speed trolley with 4:1 ratio, contactor control
- Low headroom or normal headroom trolleys
- Single reeved or double reeved
- Intrinsically safe-wired circuitry
- Mainline contactor and control transformer
- Pendant controller rated for hazardous locations

# What makes this product different?

There are many features that make a CID1 hoist different than a CID2 hoist, including:

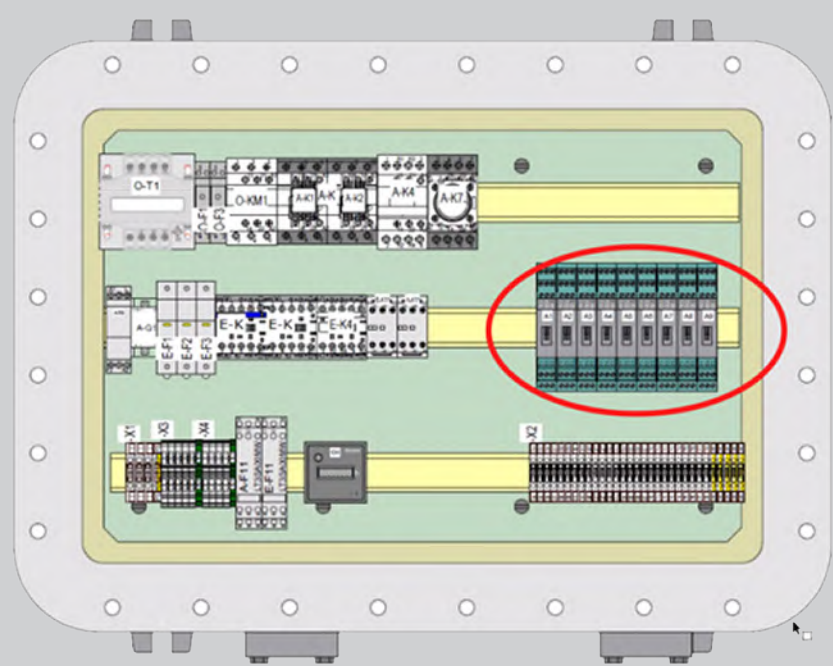
- Different hoisting and traveling motors
- Bigger hoist control panel and new panel fixing plates
- Armored cables instead of flexible conduits for motors
- Different cable entries for motor cables due to armored cables
- Intrinsically safe circuit for control commands and limit switches
- Additional barrier relays because of intrinsically safe circuit
- Additional labels to mark intrinsically safe circuit cables outside the enclosure
- Stainless steel hoist data and warning plates



**Armored cable**

## What is Intrinsically Safe?

Intrinsically safe electrical systems are designed to limit the electrical and thermal energy in a circuit to a level below what is required to ignite an explosive gas or dust atmosphere. A circuit design considers potential energy that may be present in field devices and interconnecting wiring. Intrinsically safe circuits are used for control commands and limit switches on CID1 equipment.





## RISE ABOVE WITH R&M MATERIALS HANDLING, INC.

R&M has been innovating since 1929. With our heritage of innovation, our wire rope and chain hoist products have consistently set the crane industry norms. Our cutting-edge solutions will help you to rise above your material handling challenges. You deserve the best performance possible; let us help you achieve it!

R&M Materials Handling, Inc. may alter or amend the technical specifications identified herein at any time with or without notice.

R&M Materials Handling, Inc. is a proud member of the following organizations:

