



The product is installed in these energy transmission lines:

Festoon System Line 30

Please find the relevant reference guides on our instruction manuals page:

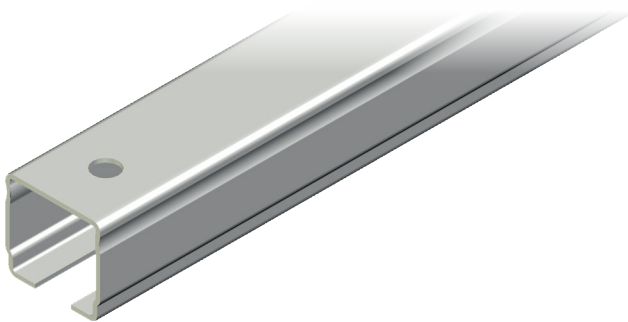
<https://www.giovenzana.com/leaflets/>

INSTRUCTION
MANUALS

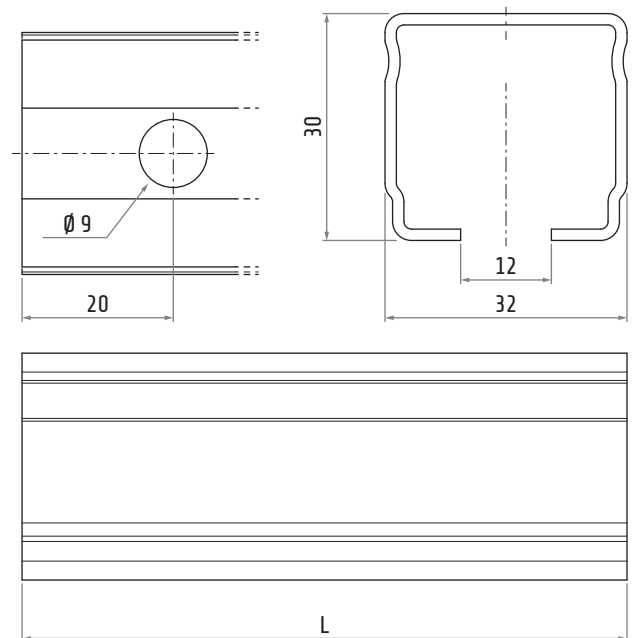


30607001/...F

BRACKET



	30607001/050F	30607001/080F
Material	galvanized steel	galvanized steel
Length L	500 mm	800 mm
Thickness	1.5 mm	1.5 mm
Weight	~590 g	~950 g



Dimensions in mm / illustrations NOT in scale