



The product is installed in these energy transmission lines:

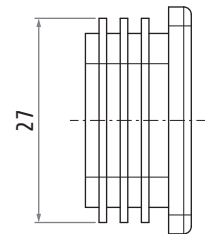
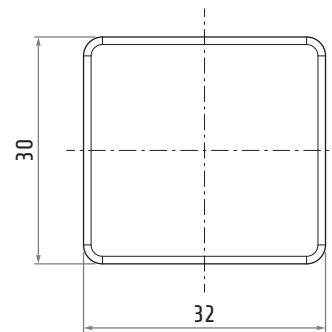
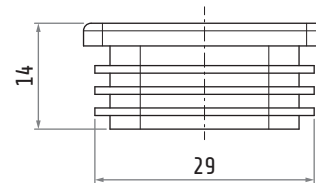
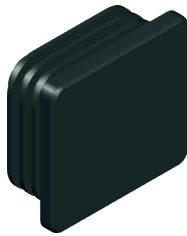
TR60	continuous
TR60	pre-mounted
TR85H5P	continuous
TR85H5P	pre-mounted
TR85H7P	continuous
TR85H7P	pre-mounted
Festoon System	Line 30



# 30607015

Please find the relevant reference guides on our instruction manuals page:  
<https://www.giovenzana.com/leaflets/>

## END CAP



Material	nylon
Weight	~6 g

Dimensions in mm / illustrations NOT in scale